

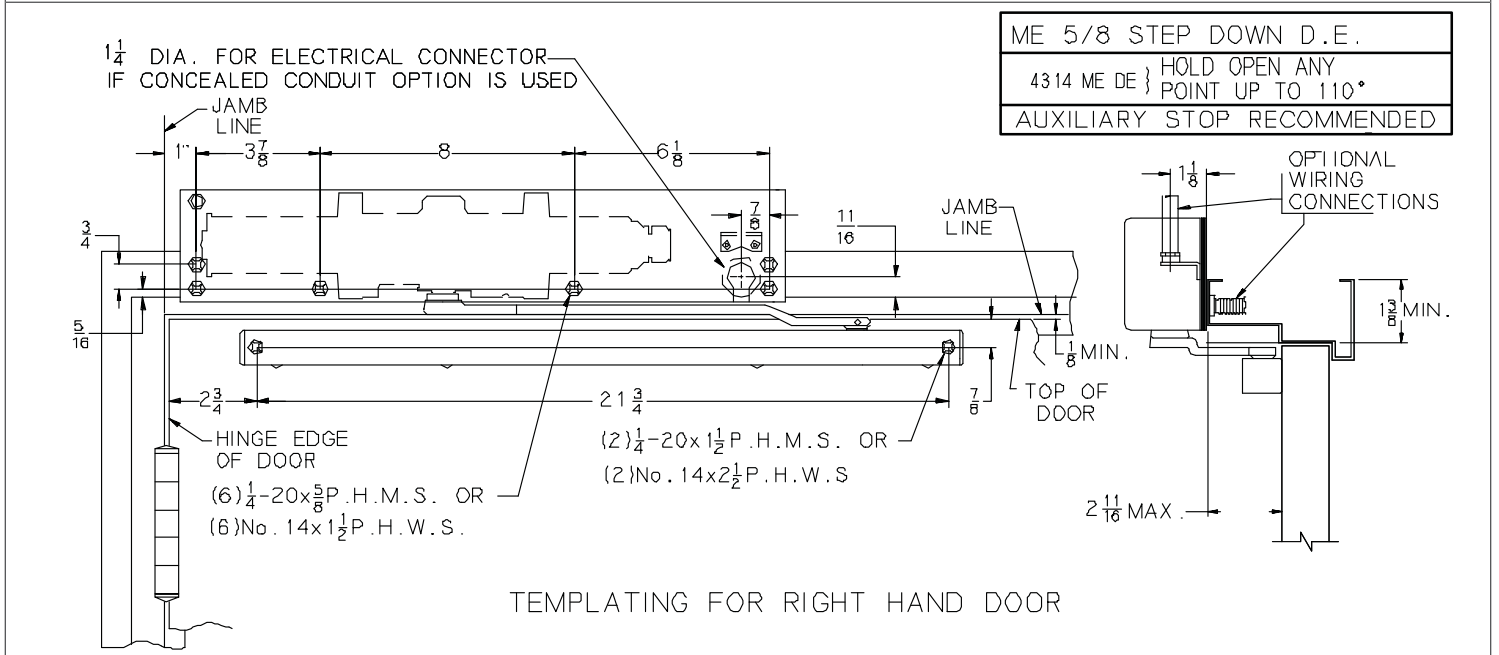
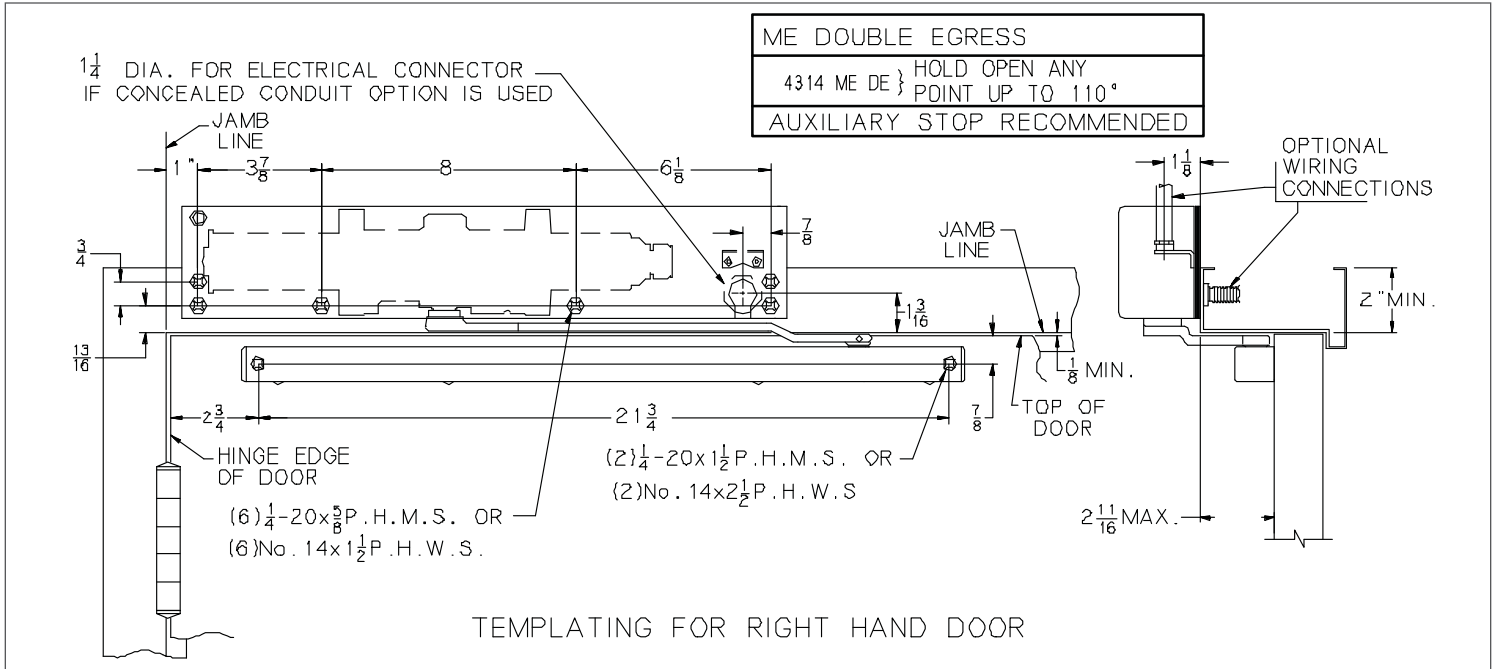


18789

# 4310 DE Series

# LCN®

## Installation Instructions



### NOTES-

- RIGHT HAND DOOR AND CLOSER SHOWN, LEFT HAND OPPOSITE.
- VOLTAGE SHOWN ON SENTRONIC LABEL MUST MATCH VOLTAGE SUPPLIED.
- IF DOOR IS HUNG ON PIVOT OR SWING CLEAR HINGES CONSULT FACTORY.
- FOR 7 1/4" OR LESS DOUBLE EGRESSES, REVEAL NOT TO EXCEED 2 11/16".
- FLOOR OR WALL STOP SHOULD BE USED.
- FOR ADDITIONAL INFORMATION ON RECOMMENDED USE OF THIS UNIT CONSULT NFPA-72E PAMPHLET.
- REINFORCING PER ANSI/SDI-100 RECOMMENDED FOR HOLLOW METAL DOORS AND FRAMES.

INCH	1/8	1/4	1/2	5/8	3/4	13/16	7/8	1	1 1/8
M.M.	3	6	13	16	19	21	22	25	29

INCH	1 3/16	1 1/4	1 1/2	2	2 1/2	3 7/8	8	11 1/8	21 3/4
M.M.	30	32	38	51	64	98	203	283	553

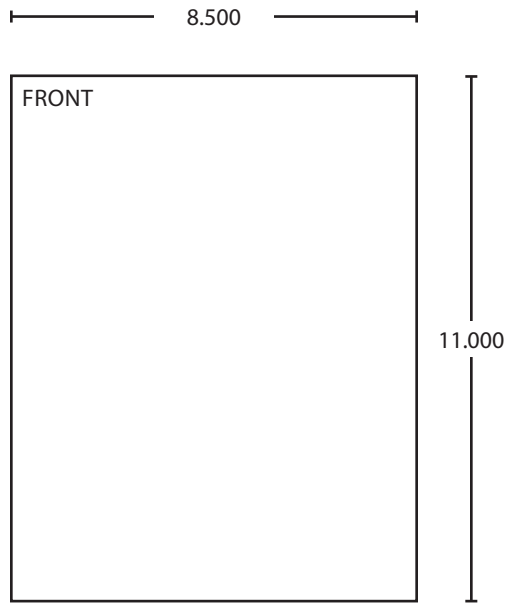
CAUTION

IMPROPER INSTALLATION OR REGULATION MAY RESULT IN PERSONAL INJURY OR PROPERTY DAMAGE. FOLLOW ALL INSTRUCTIONS CAREFULLY. FOR QUESTIONS, CALL LCN AT 877-671-7011

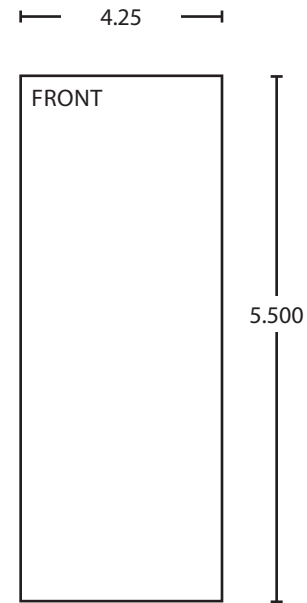
Customer Service

1-877-671-7011    www.allegion.com/us





BEGINNING SHEET



FOLDED SHEET

Additional Notes:
1. None

Revision History						Revision Description: F > Revised artwork					
F	G	H	J	K	L						
043228											
Material						Edited By		Approved By		EC Number	Release Date
White Paper						D. Myers		M. Sasso		043228	01-01-14
Notes						Title					
1. printed one side						4319ME Series DE Instruction Sheet					
2. printed black						Creation Date		Number		Revision	
3. tolerance ± .13						05-10-10		18789		F	
4. printed in country may vary						Created By		Activity		© Allegion 2014	
5. drawings not to scale						N/A		3899 Hancock Expwy Security, CO 80911			
						Software: InDesign CS6					