



24771

4040SE DE Sentronic



SE Double Egress

Installation Instructions

This closer features mounting options for both standard and step-down double egress frames. Before beginning, determine which type of mounting best applies to your application, or has been specified for the job, then be sure to use the proper template.

<h3>1 Voltage</h3>	<h3>7 Regulation</h3>
<p>The voltage shown on the track cover plate must match voltage supplied to door frame (24V or 120V). If concealed wiring is desired, prepare the frame to specifications shown on the corresponding template. If surface wiring is desired, be sure to mount the track on the frame before running any EMT/conduit.</p>	<p>Do not allow the door to slam into the frame. A "normal" closing time from a 90° position is 5 to 7 seconds, evenly divided between the Main and Latch Speed. If adjustments are needed, use a 5/32" hex wrench. To adjust the Main Speed, turn the regulating screw (see illustration) clockwise to slow the speed or c.c.w. to increase the speed. Latch Speed is adjusted in the same way. When adjusting, use the Backcheck the least amount necessary to slow the swing of the door sufficiently. To adjust the Backcheck, turn the regulating screw clockwise to increase the amount of force or c.c.w. to reduce the amount of force.</p> <p>① NOTE: Do not use an abrupt backcheck setting or expect the door closer to act as a stop!</p>
<h3>2 Track</h3> <p>Insert the proper track plugs into the top of the track. Using the fasteners provided, mount the track on the frame to the template dimensions being used. Make the electrical connections (see page 2).</p>	<h3>8 Door Closer Cover</h3> <p>With regulation done, place the snap-on clip insert into the proper cutout, then the snap cover assembly onto the spring tube.</p>
<h3>3 Spring Power</h3> <p>Before mounting closer, the spring power may need adjusting. Refer to the label on the closer spring tube. The 4040SE DE Series comes preset at size 3. This will control a door up to 38", adjust the closer as shown (see illustration to the right) up to 7 full turns. Starting the cover screws at this point is recommended. Using the fasteners provided, mount the closer on the door to the dimensions of the template being used.</p>	<p>⚠ CAUTION ⚠</p> <p>Improper installation or regulation may result in personal injury or property damage. Follow all instructions carefully.</p> <p>For questions, call LCN at 877-671-7011.</p>
<h3>4 Arm Installation</h3> <p>Install the arm as follows: Rotate the arm from the door until flats in the arm hub line up with the first available flats of the shaft. Slide the arm hub onto the closer shaft. Insert the shaft screw and tighten securely.</p>	
<h3>5 Arm Screw</h3> <p>Loosen the set screw in the arm. Connect the arm to the track roller, and tighten the set screw firmly.</p>	
<h3>6 Door Position</h3> <p>To adjust the hold-open position of the door: Remove the screw in the adjustable arm, and open the door to the desired position. Reinsert the screw and tighten securely.</p>	

Conduit Quick Conductor

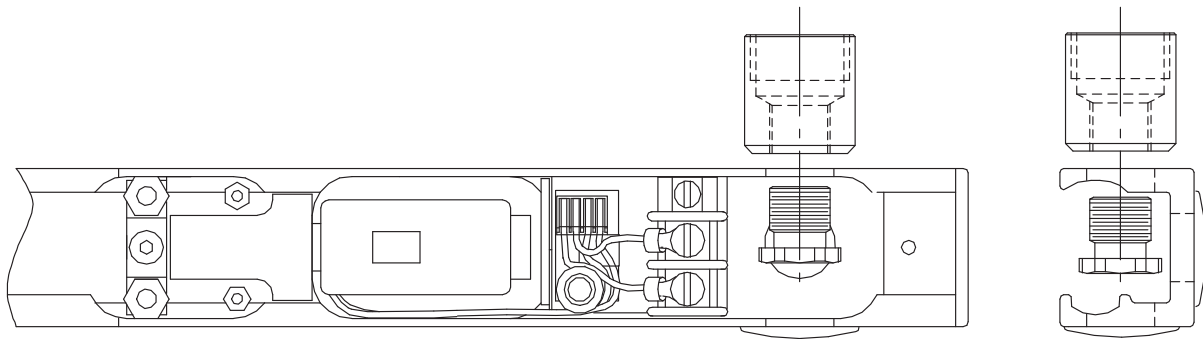


Fig. 1

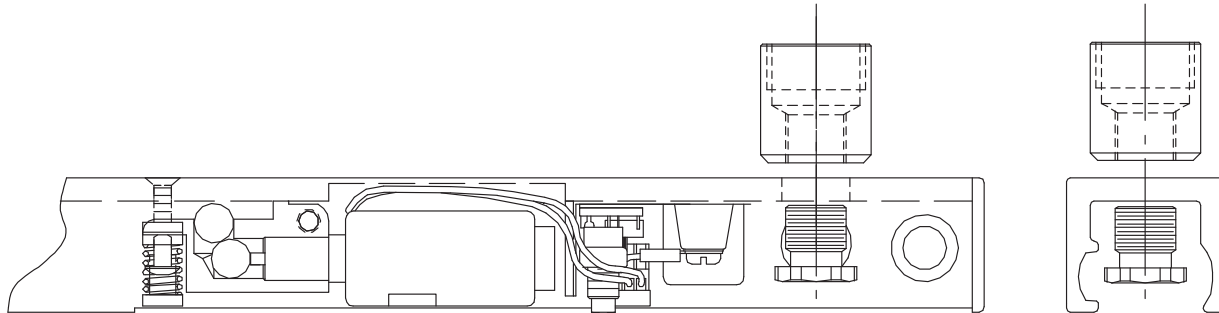


Fig. 2

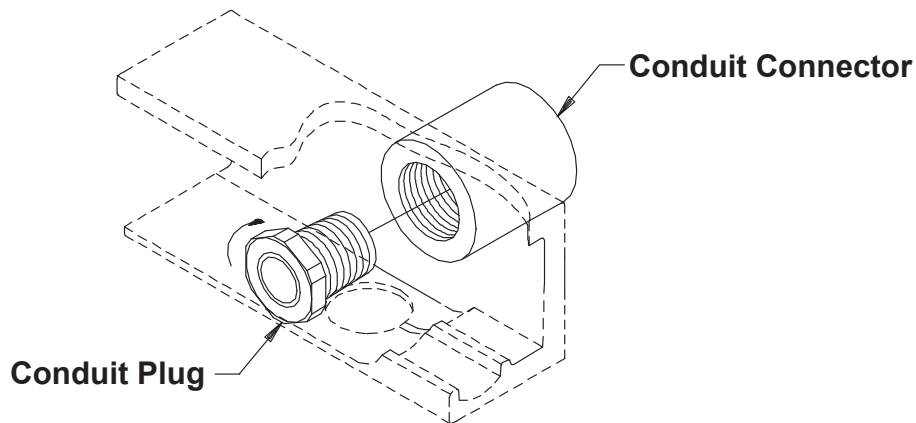


Fig. 3

**Conduit Plug shown
in Conduit Connector**

Installation Instructions

- 1a The Conduit Quick Connector and Plug can be found in the closer screwpack.
- 1b The Conduit Quick Connector should be fastened to the 1/2" concealed conduit prior to step 3 on the closer installation instructions.
- 1c During step 3 on the closer installation instructions, make sure that the Conduit Connector is secured flush against the track surface. See option in Fig. 1 below that matches the mounting option selected for track surface. With the track mounted, take the Conduit Plug and slide it through the 1/2" hole in the track. (see Fig.2) Tighten the Plug into the Conduit Connector using a 5/8" wrench, until completely secure, as shown in Fig.3.

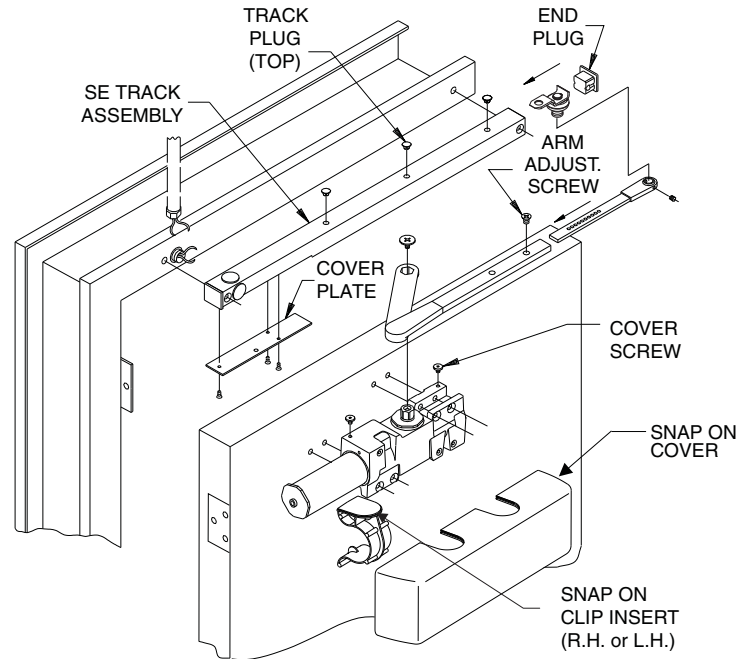
SE Mounting



Hazardous voltage can shock and cause severe injury!

Disconnect the power before making any electrical connections or performing maintenance.

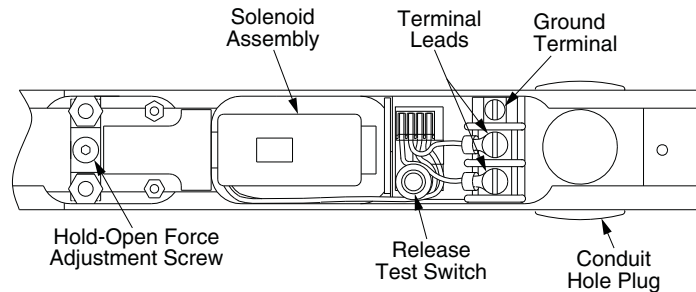
SE MOUNTING



Note: Use screws for metal cover only.

Hold-Open Force Adjustment:

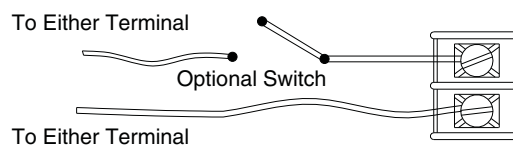
Locate the hold-open adjustment screw in the diagram to the right. For greater hold-open force, insert a $\frac{3}{32}$ " hex wrench, and turn clockwise. To decrease the amount of hold-open force, turn the screw counterclockwise, for a maximum of 4 turns.



Electrical Checkout

Wiring Diagram - Polarity Not Important

Input Voltage:
24v AC/DC Or 120v AC/DC
(Usually From Alarm Panel or Detector)



1. With power on, open the door. The door should remain in the open position. If the door does not stay open, check the electrical output.
2. Push the release test switch. The door should close immediately. Open the door to the hold-open position and let it remain there.
3. The system should be checked at frequent intervals. It is suggested that Step 2 be repeated every 90 days.

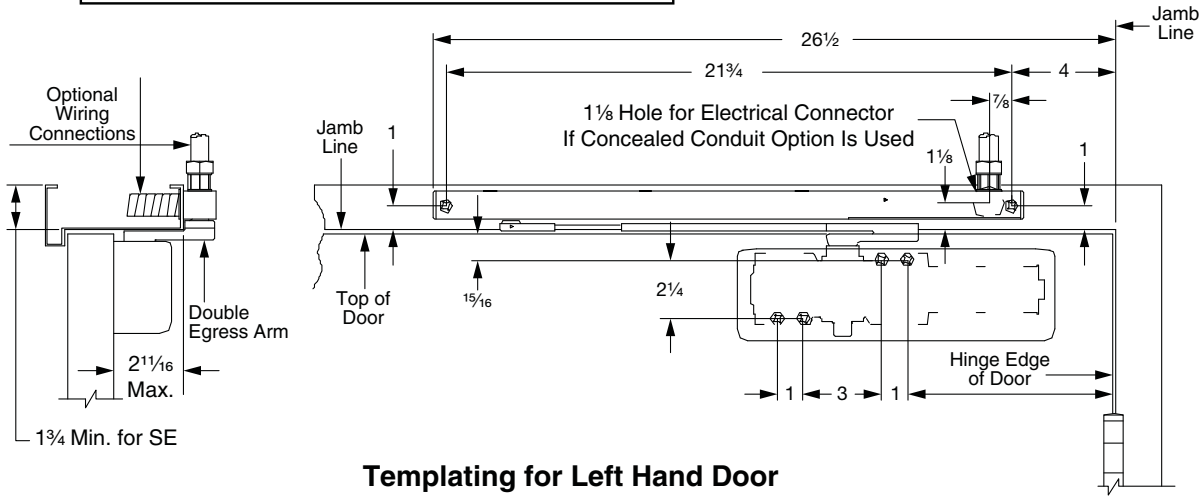


HAZARDOUS VOLTAGE CAN SHOCK AND CAUSE SEVERE INJURY!

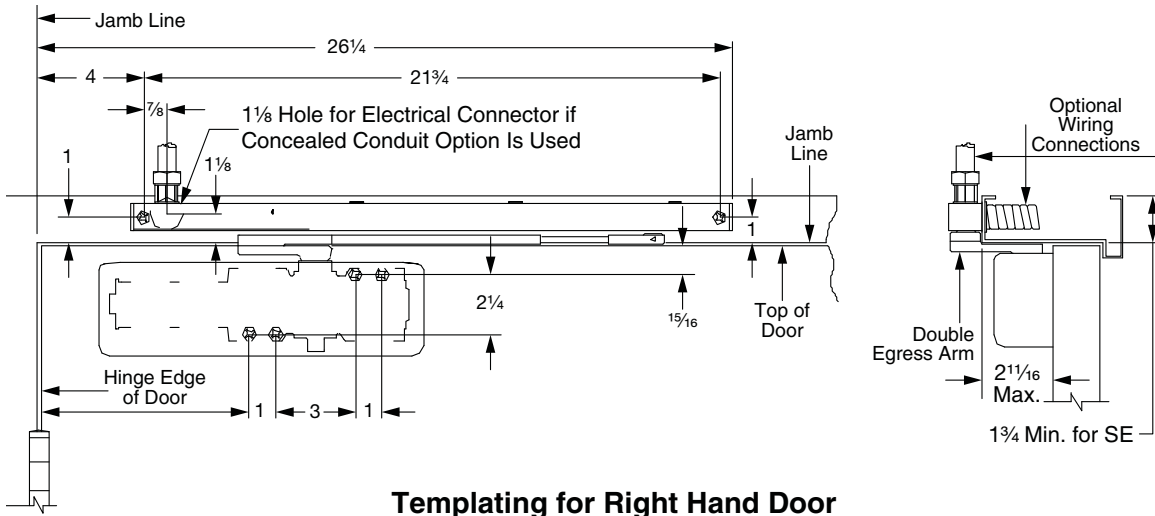
Disconnect the power before making any electrical connections or performing maintenance.

DOOR HOLDER SOLENOID DATA
 24VAC - DC Nominal = 10% - 15% @ .090 Amp. Max.
 120 VAC - DC Nominal = 10% - 15% @ .030 Amp Max.

4040SE DE Up To 95° Hold Open
 Auxiliary Stop Recommended



Templating for Left Hand Door



Templating for Right Hand Door

Notes:

1. The voltage supplied must match the voltage shown on the Sentronic label.
2. If the door is hung on pivots or swing clear hinges, consult the factory.
3. Floor or wall stops must be used.
4. For 7¹/₄" or less double egress frames, the reveal should not exceed 2¹/₁₆".
5. The 1¹/₈" door-to-Soffit clearance is required.
6. Reinforcing per ANSI/SDI-100 is recommended for hollow metal doors and frames.
7. The maximum butt hinge size is 5" x 5".

Inch	1/8	1/4	3/8	15/16	1	1 1/8	1 1/4	1 1/2	1 3/4	2	2 1/4	2 11/16	2 7/8	3	4	5	6 1/2	6 3/4	7 1/4	7 3/8	7 7/8	21 1/4	26 1/4
M.M.	3	6	22	24	25	29	32	38	44	51	57	68	73	76	102	127	165	171	184	187	200	552	667

4040SE-DE: For 5/8" Step-down frames



HAZARDOUS VOLTAGE CAN SHOCK AND CAUSE SEVERE INJURY!

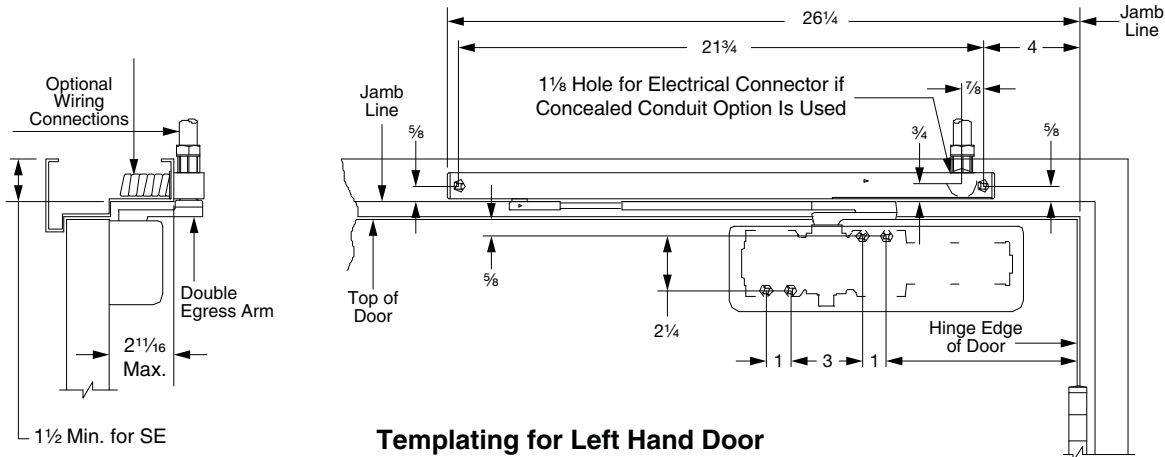
Disconnect the power before making any electrical connections or performing maintenance.

DOOR HOLDER SOLENOID DATA

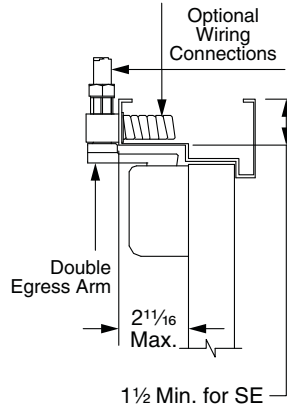
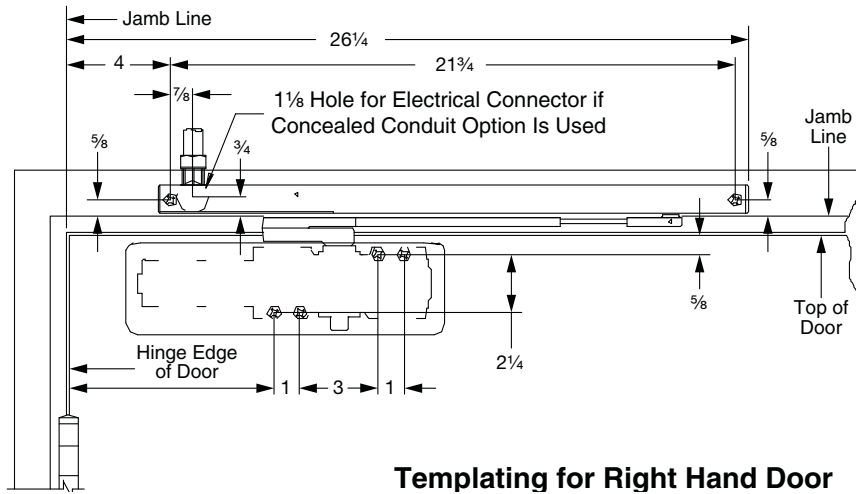
24VAC - DC Nominal =10% - 15% @ .090 Amp. Max.
120 VAC - DC Nominal =10% - 15% @ .030 Amp Max.

4040SE DE Up To 95° Hold Open

Auxiliary Stop Recommended



Dim.	Reveal
7 ⁷ / ₈	2 ¹¹ / ₁₆
7 ³ / ₈	2
6 ³ / ₄	1 ¹ / ₂
6 ¹ / ₂	1



Dim.	Reveal
7 ⁷ / ₈	2 ¹¹ / ₁₆
7 ³ / ₈	2
6 ³ / ₄	1 ¹ / ₂
6 ¹ / ₂	1

Notes:

1. The voltage supplied must match the voltage shown on the Sentronic label.
2. If the door is hung on pivots or swing clear hinges, consult the factory.
3. Floor or wall stops must be used.
4. For 7¹/₄" or less double egress frames, the reveal should not exceed 2¹¹/₁₆".
5. The 1/8" door-to-Soffit clearance is required.
6. Reinforcing per ANSI/SDI-100 is recommended for hollow metal doors and frames.
7. The maximum butt hinge size is 5" x 5".

Inch	1/8	1/4	7/8	15/16	1	1 1/8	1 1/4	1 1/2	1 3/4	2	2 1/4	2 11/16	2 7/8	3	4	5	6 1/2	6 3/4	7 1/4	7 3/8	7 7/8	21 1/4	26 1/4
M.M.	3	6	22	24	25	29	32	38	44	51	57	68	73	76	102	127	165	171	184	187	200	552	667

Customer Service

1-877-671-7011 www.allegion.com/us



© Allegion 2017
Printed in U.S.A.
24771 Rev. 08/17-n